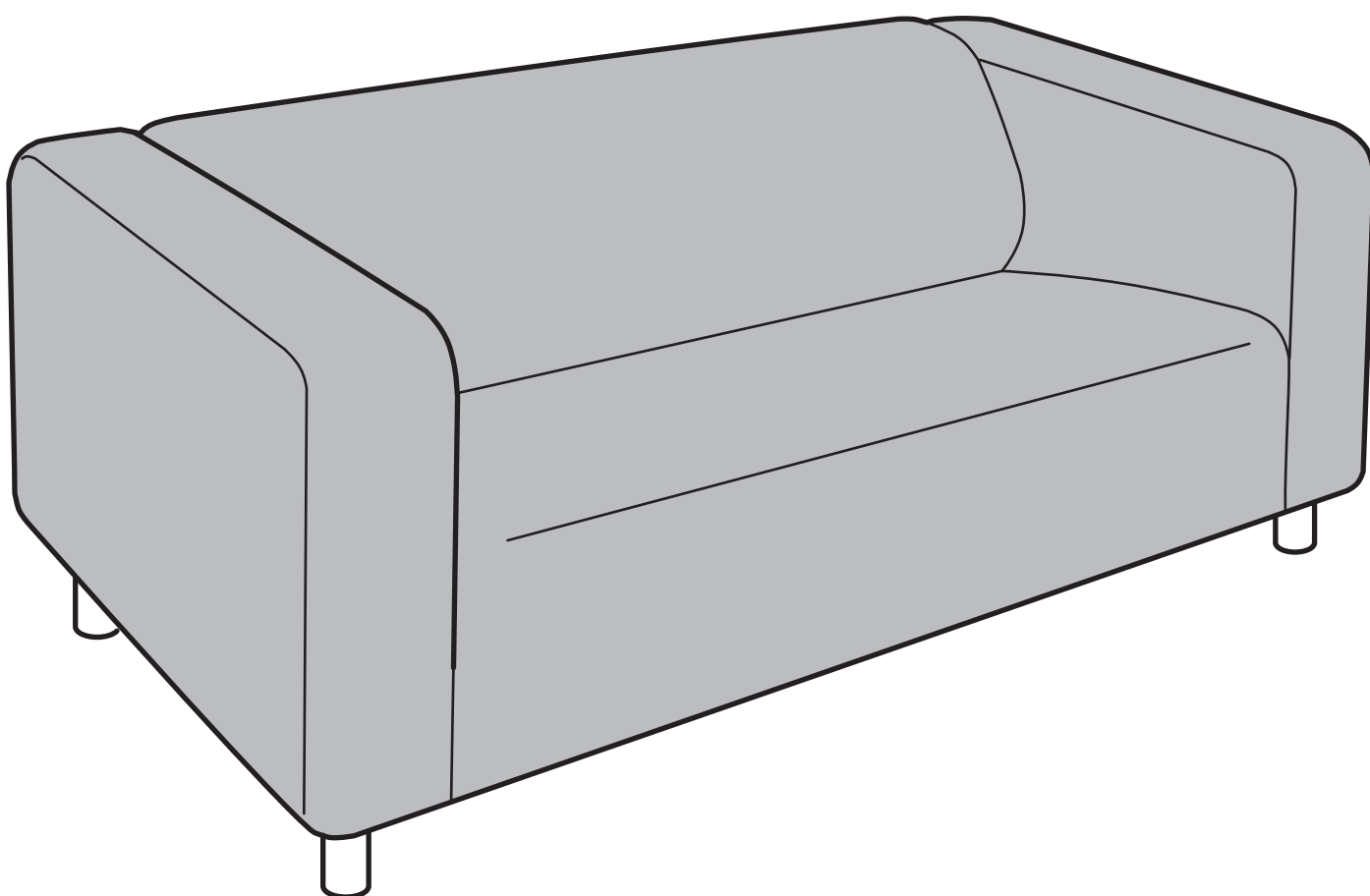
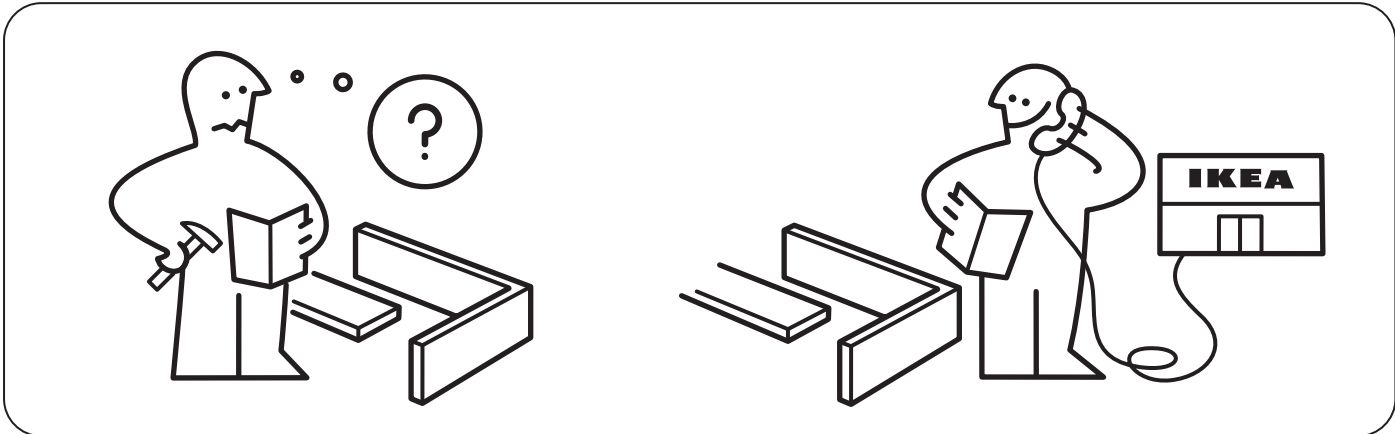


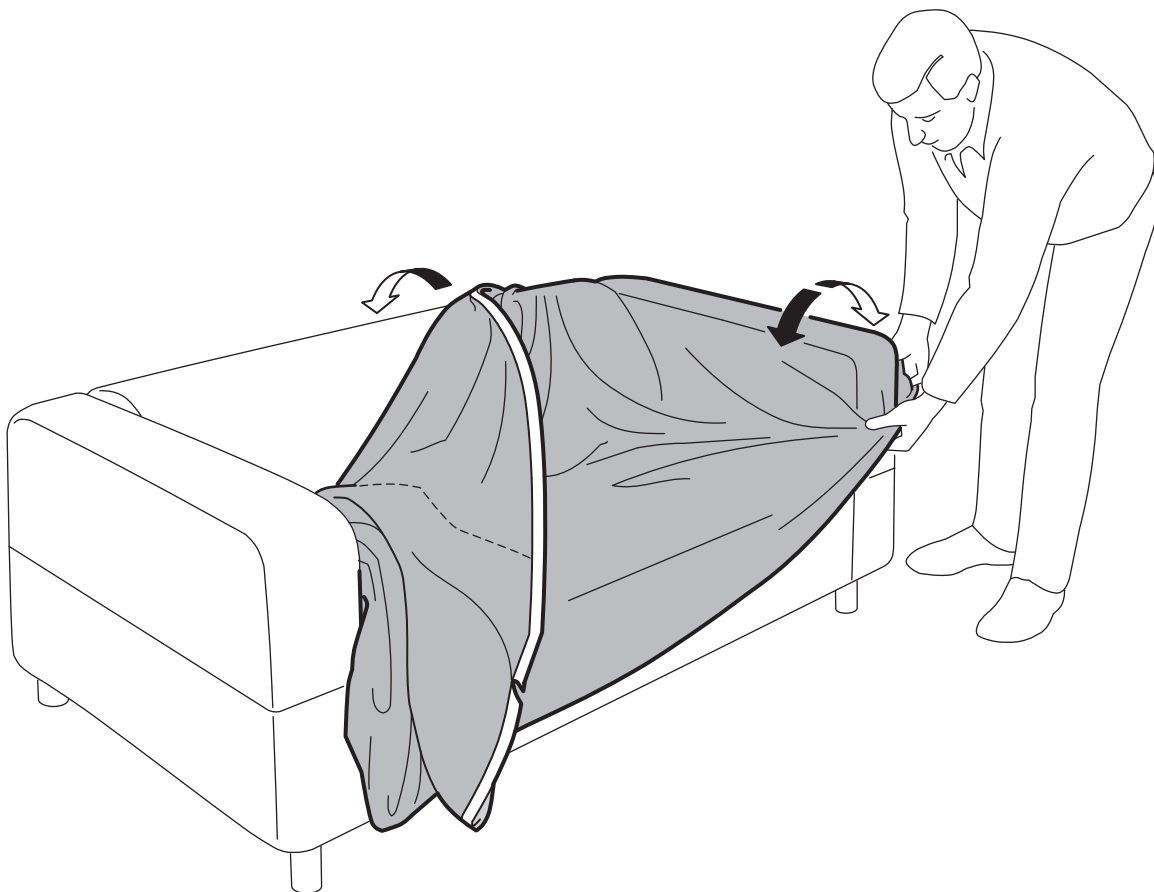
# KLIPPAN



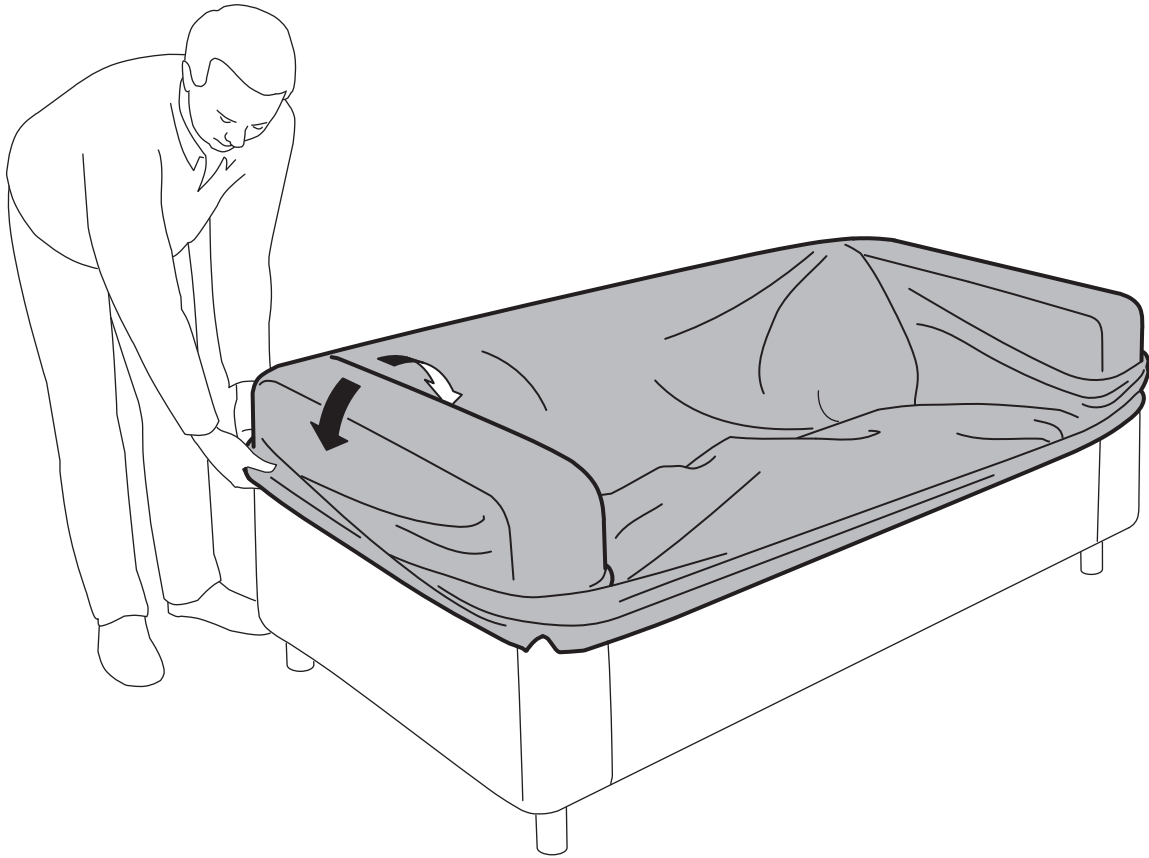
Design and Quality  
IKEA of Sweden



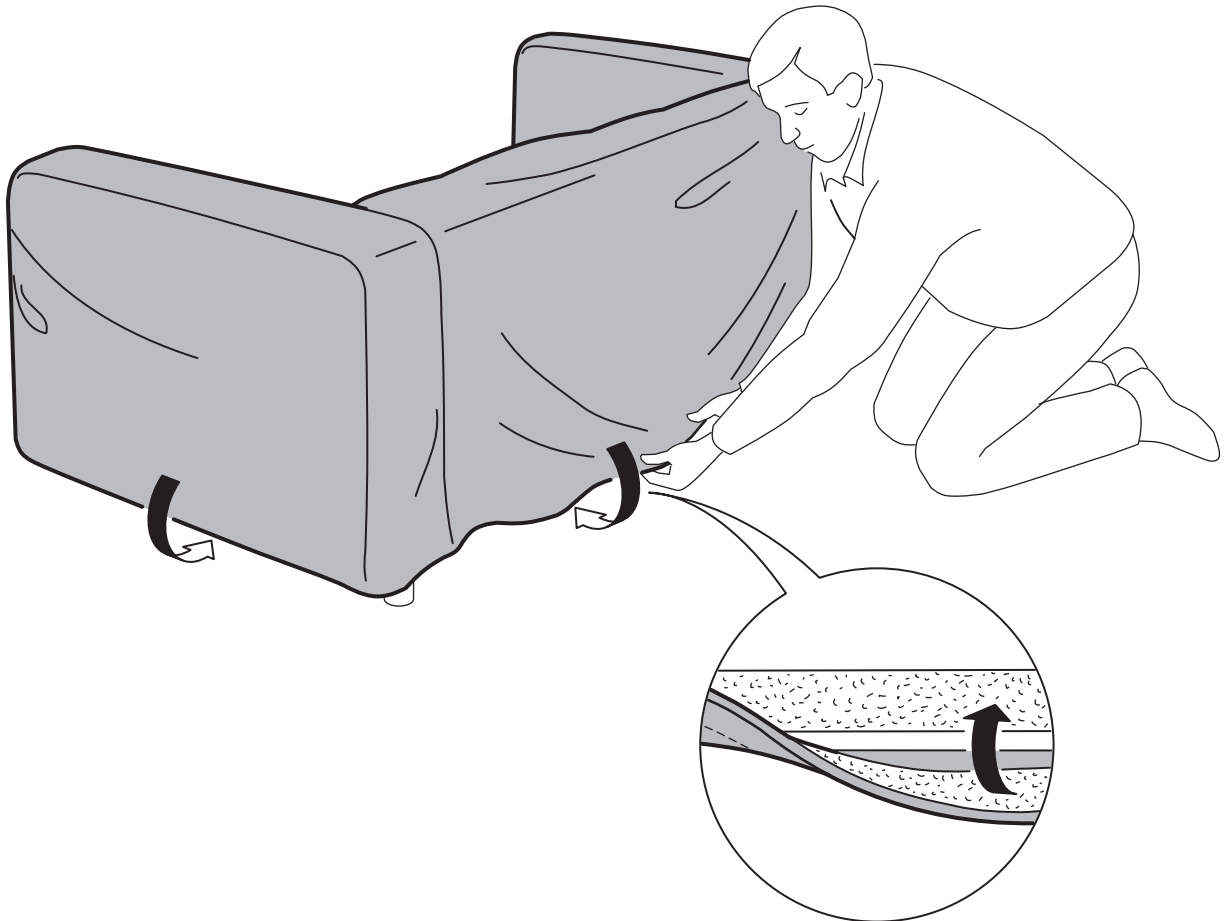
**1**



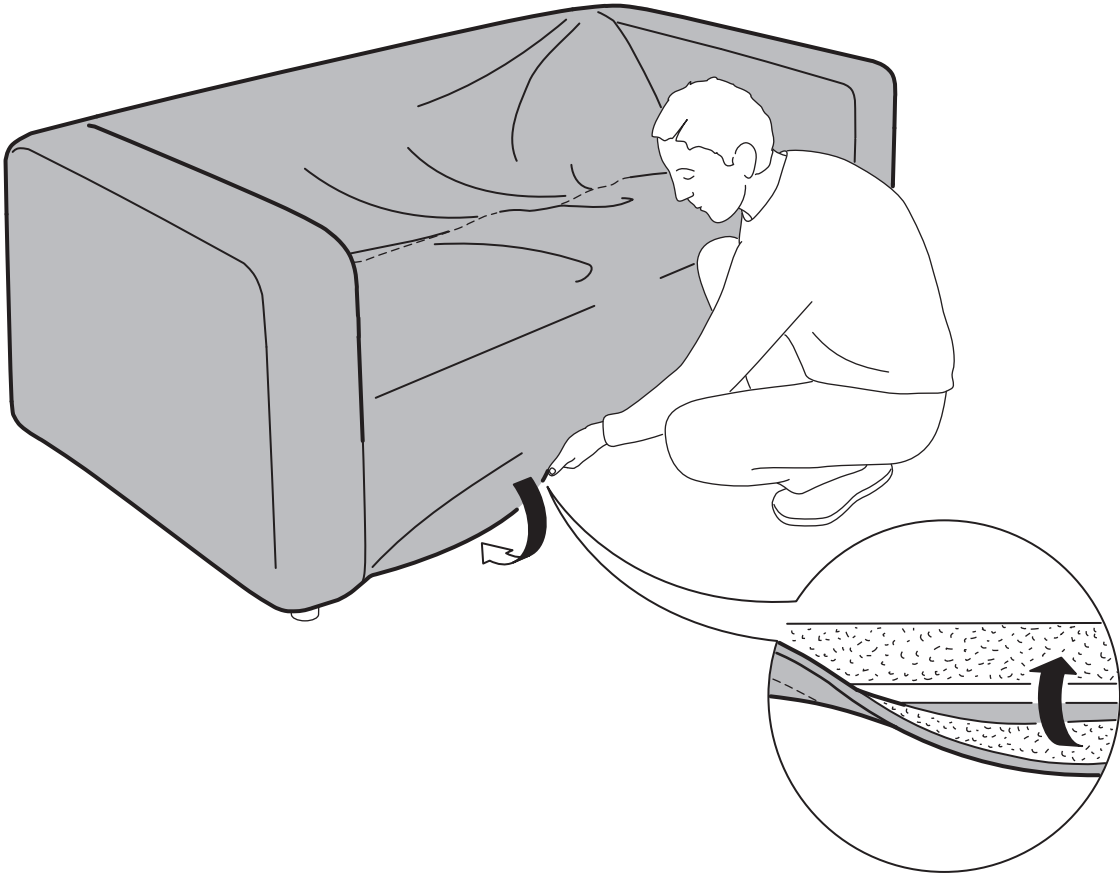
**2**



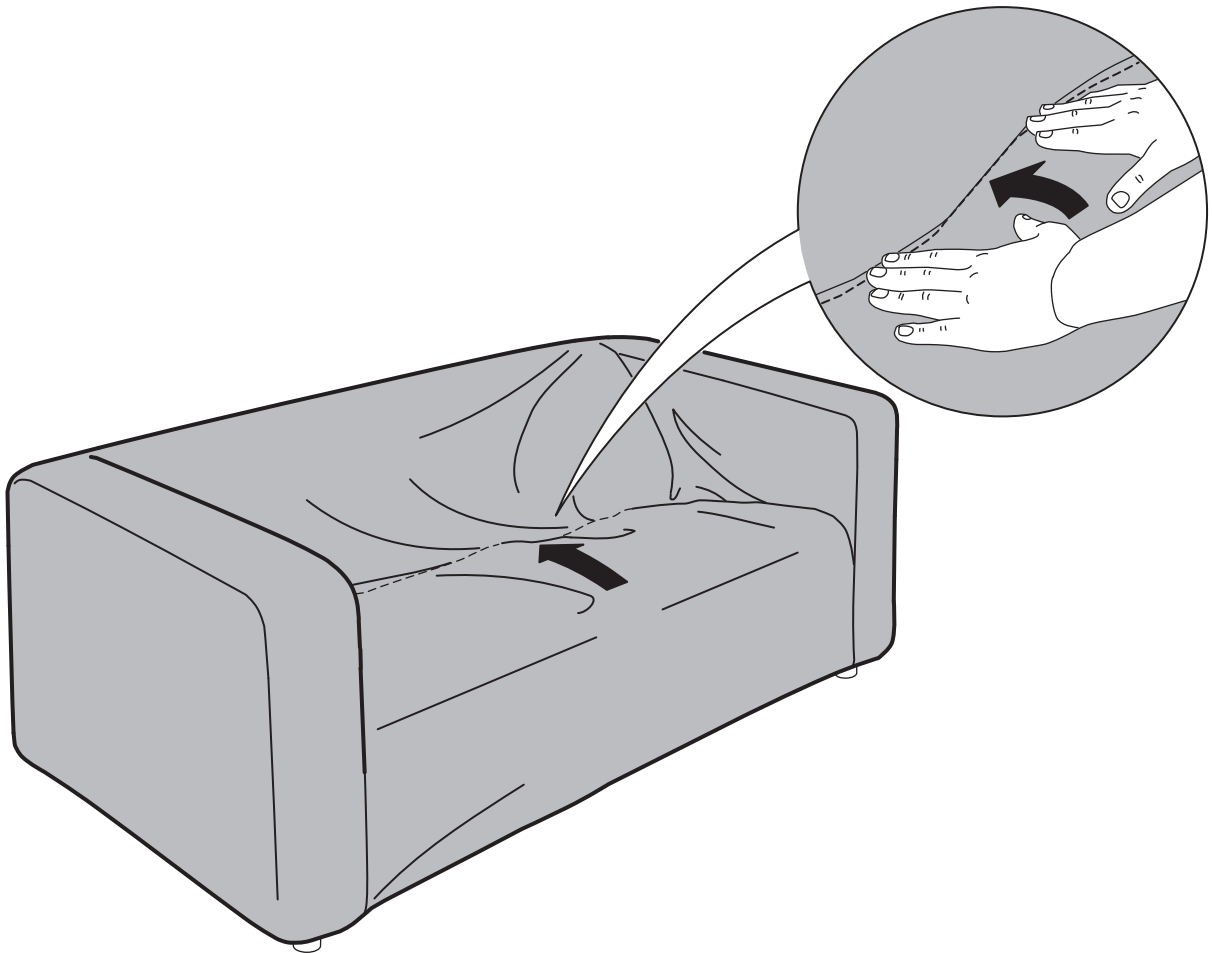
**3**



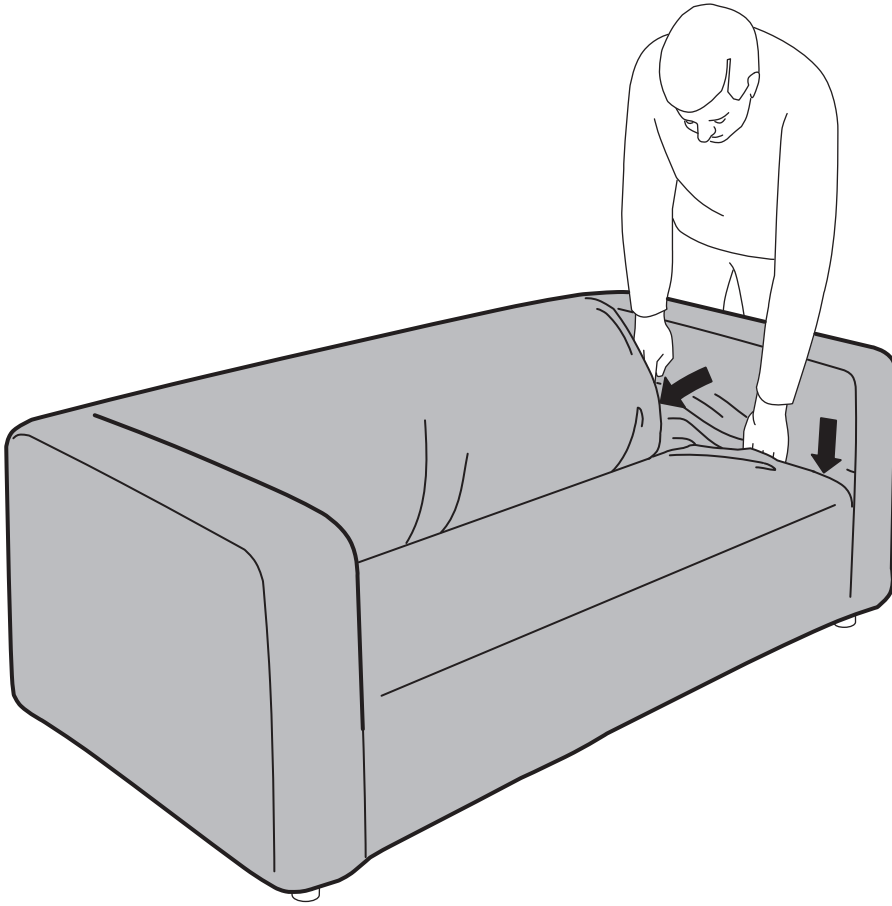
4



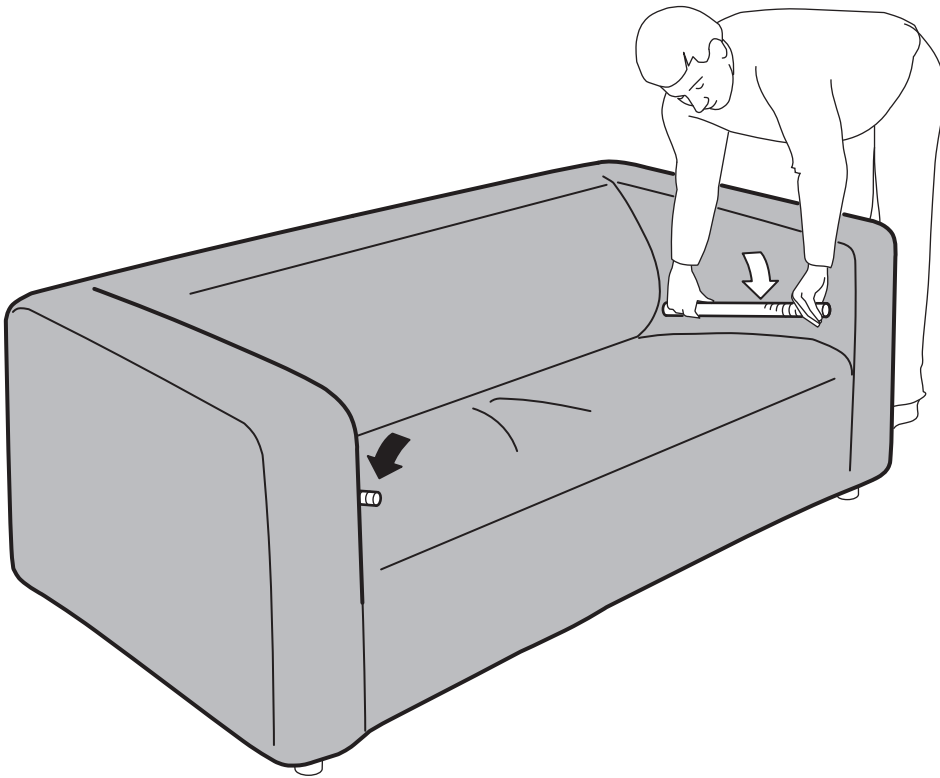
5



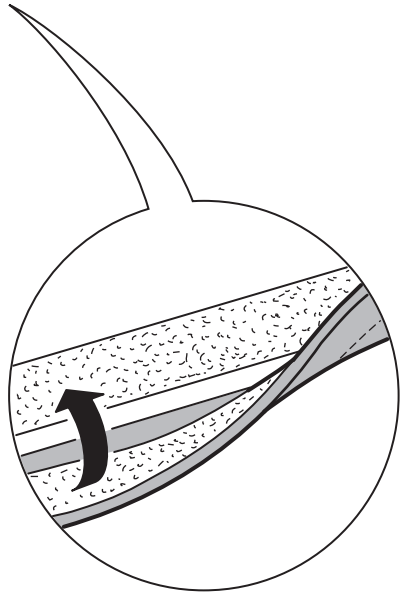
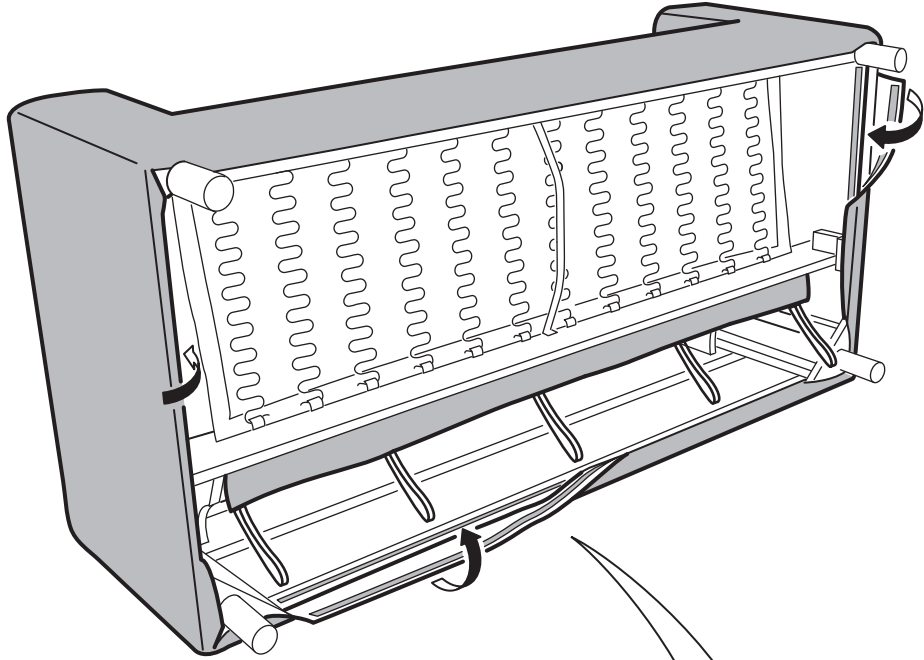
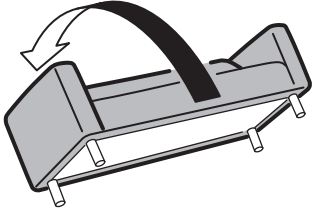
6



7



8



9

