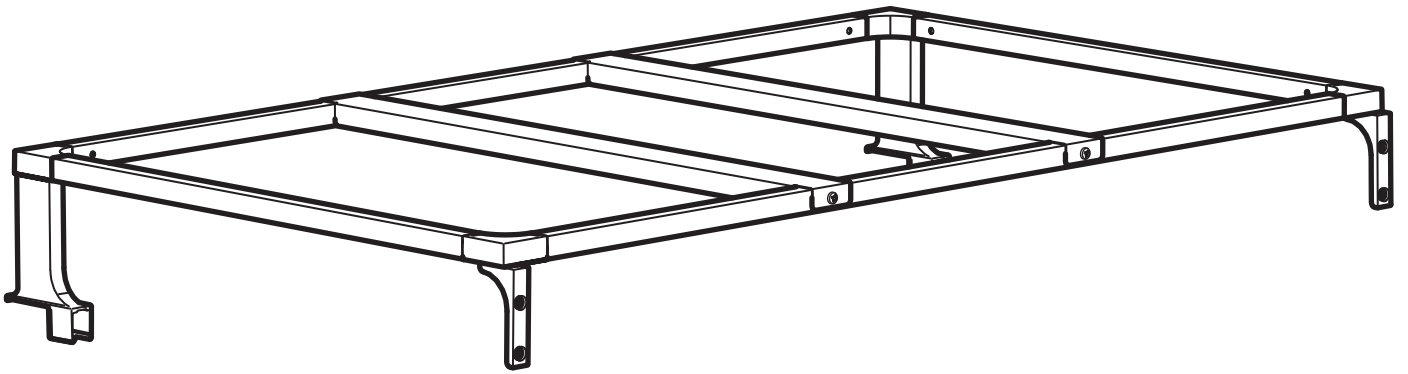
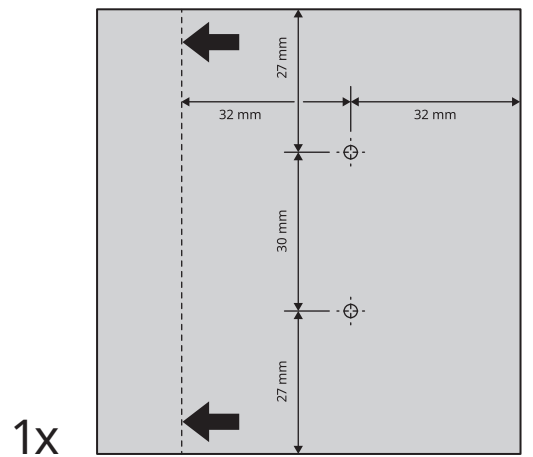
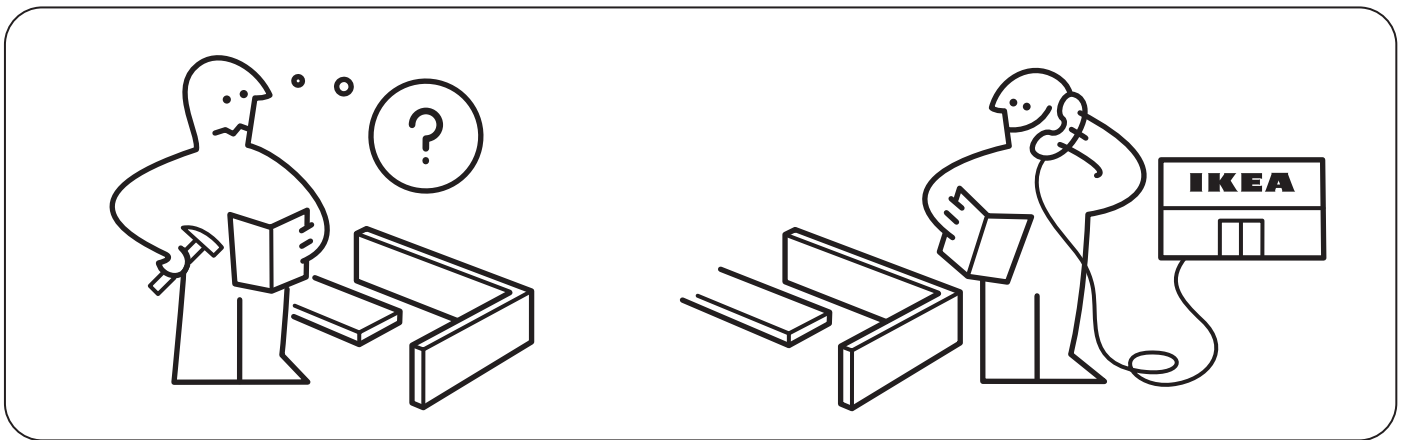
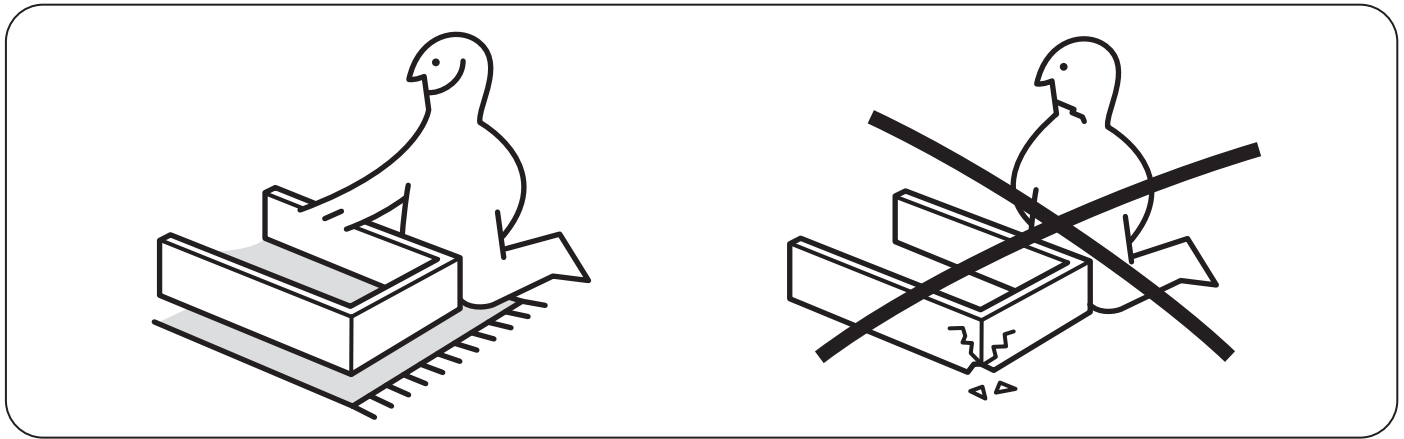
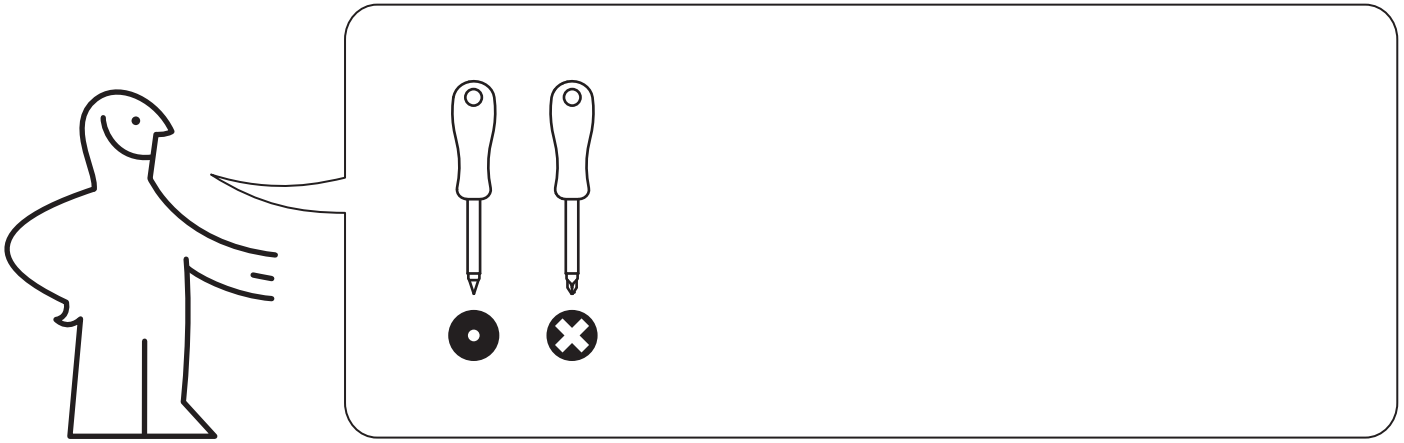


HÅLLBAR

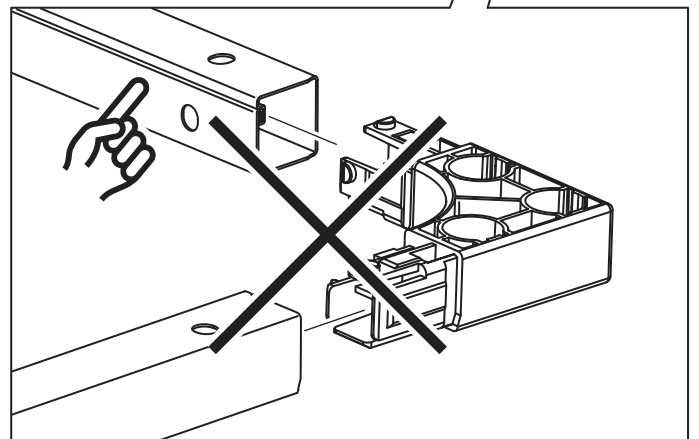
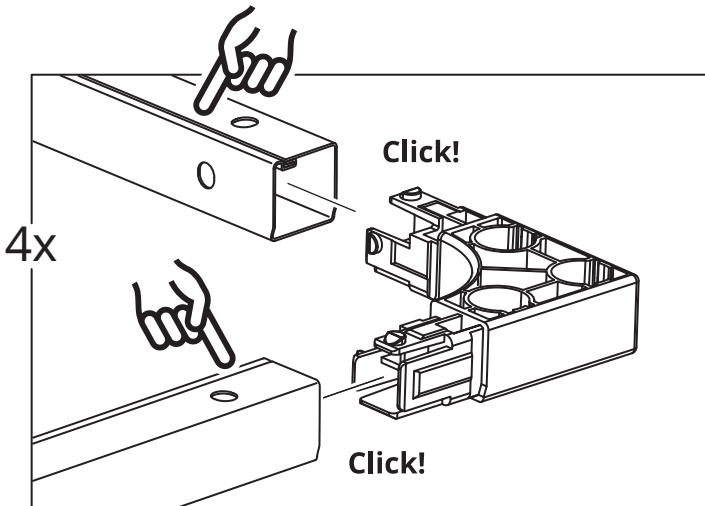
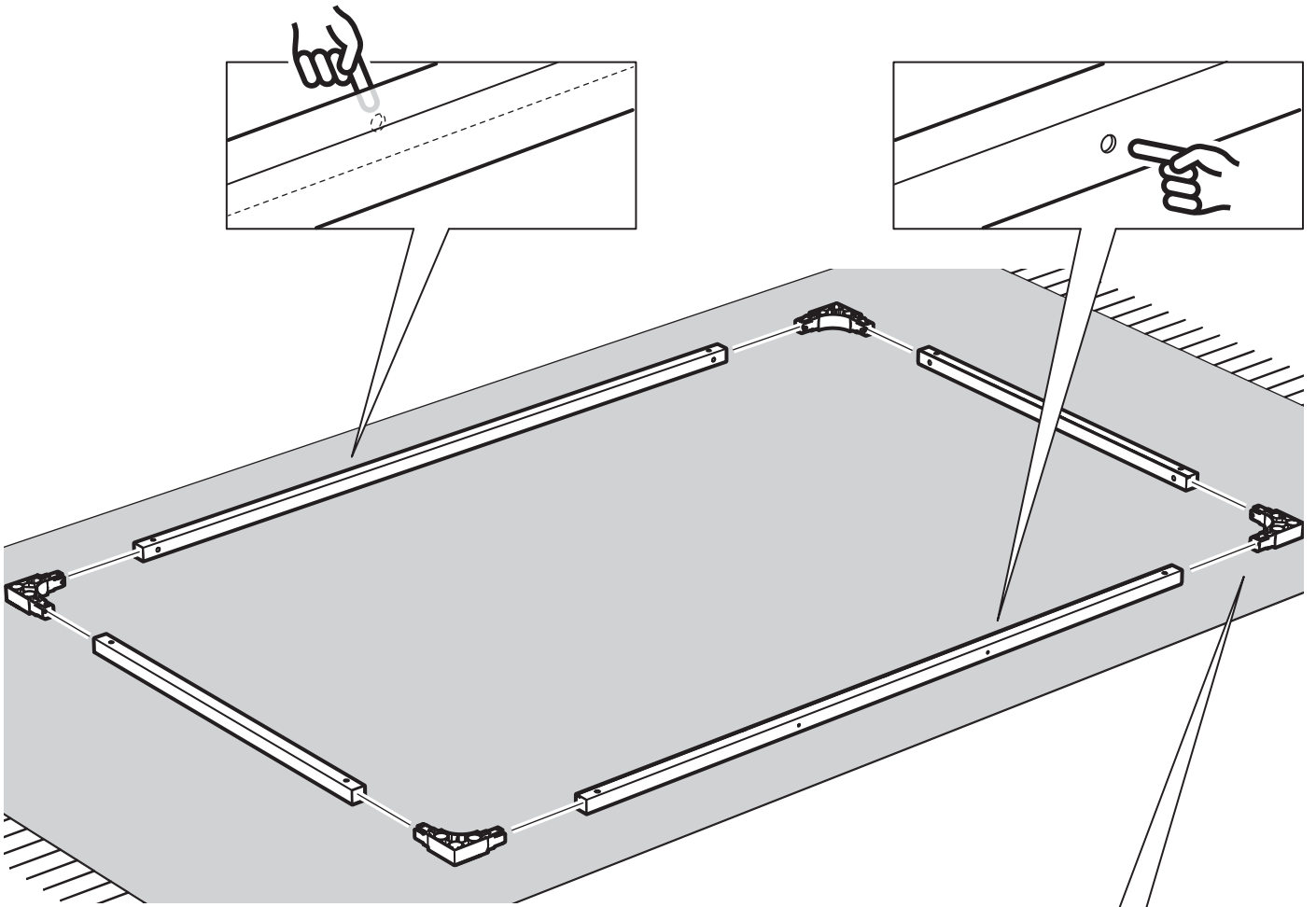


Design and Quality
IKEA of Sweden

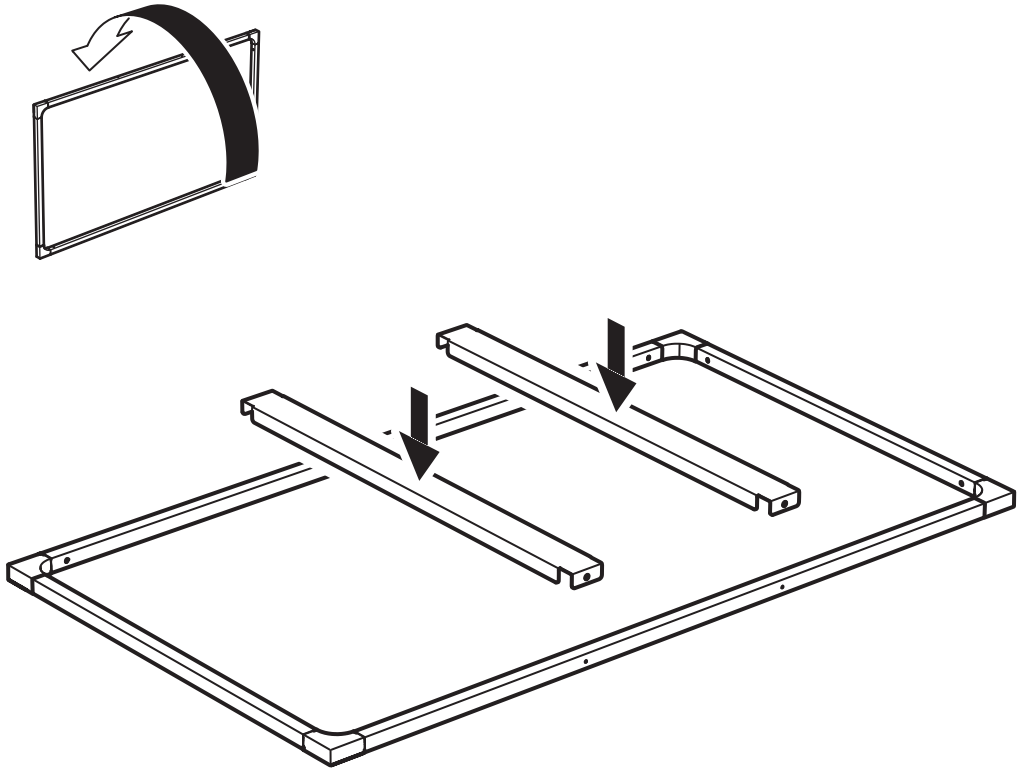


AA-2595619

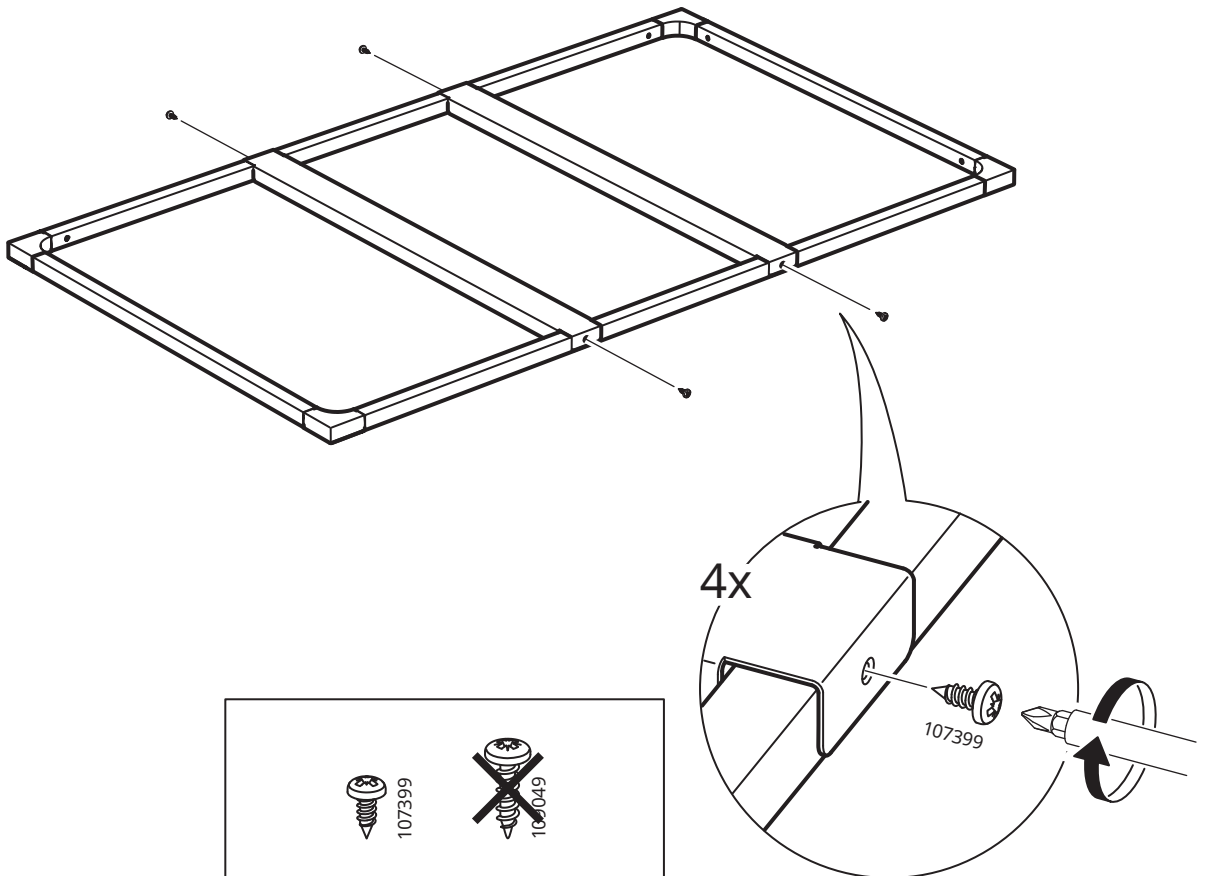
1

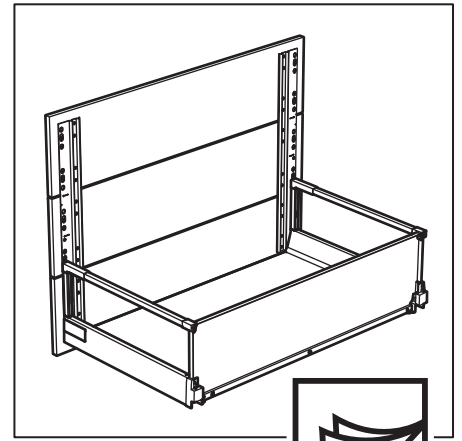
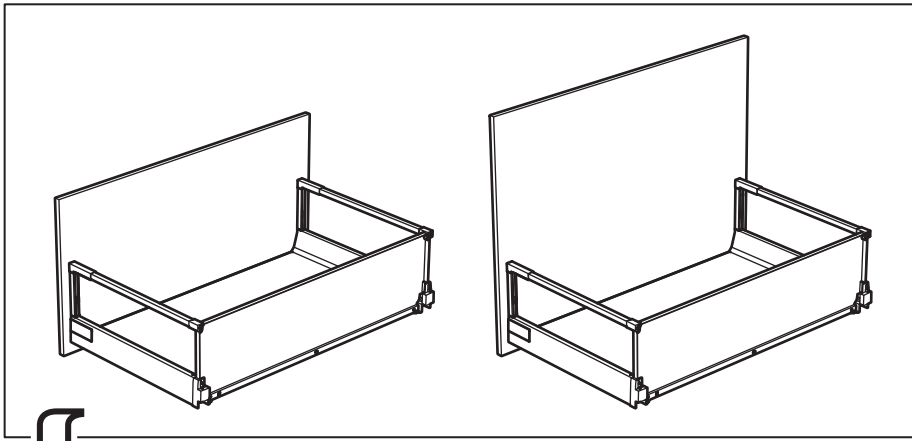


2

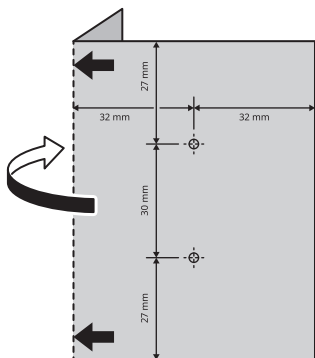
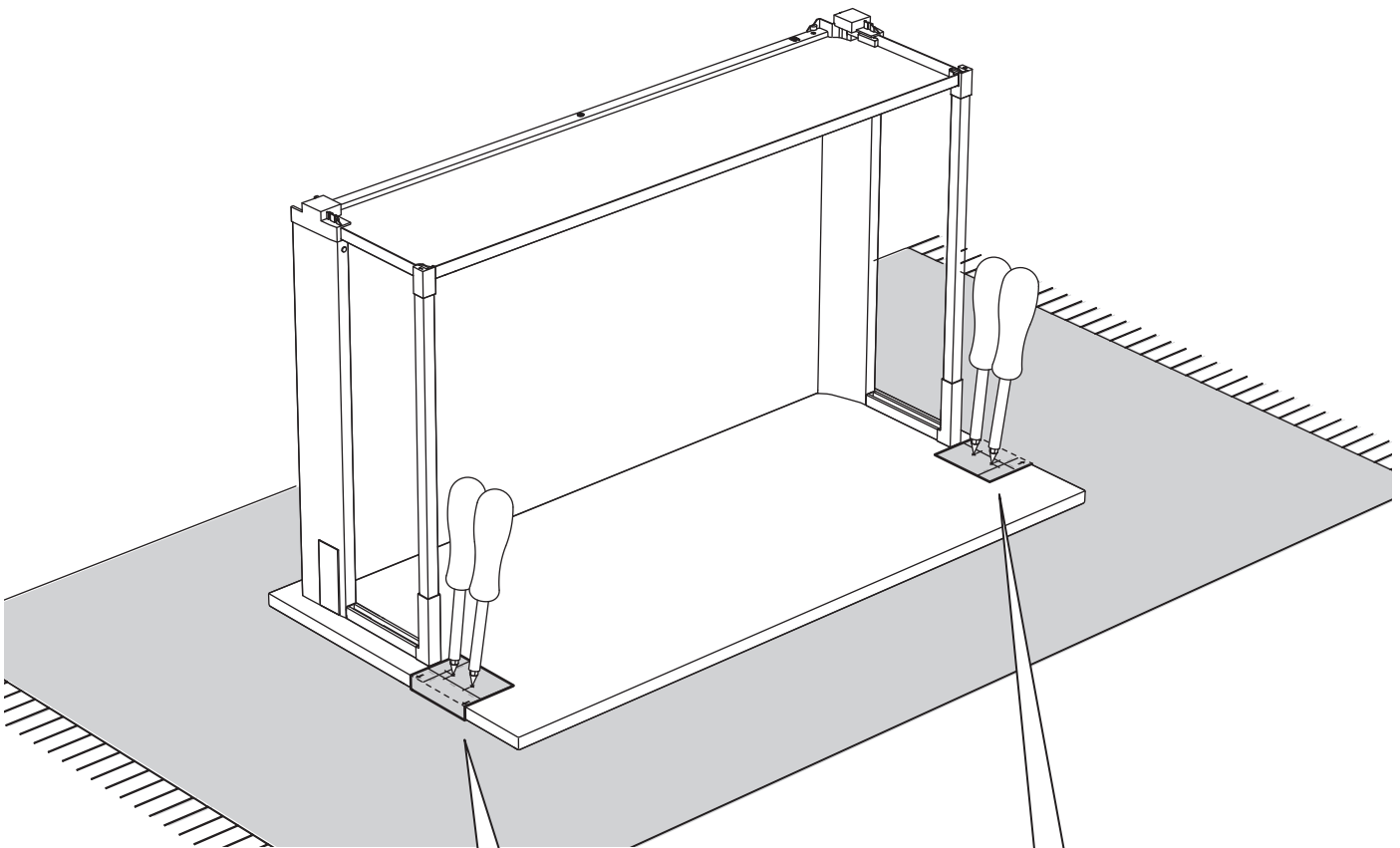


3

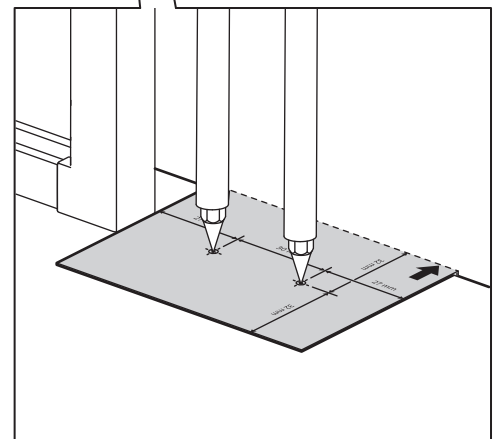
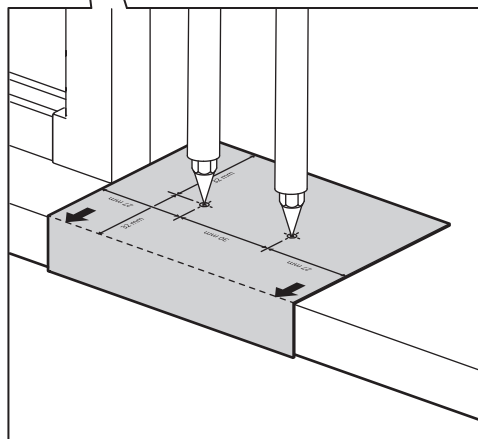




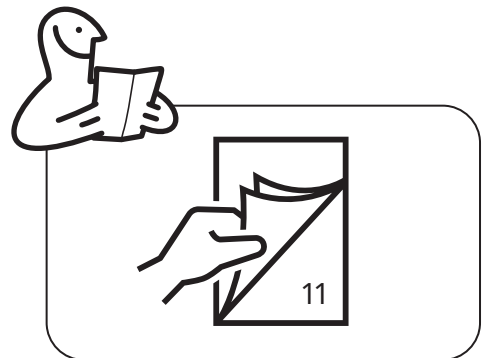
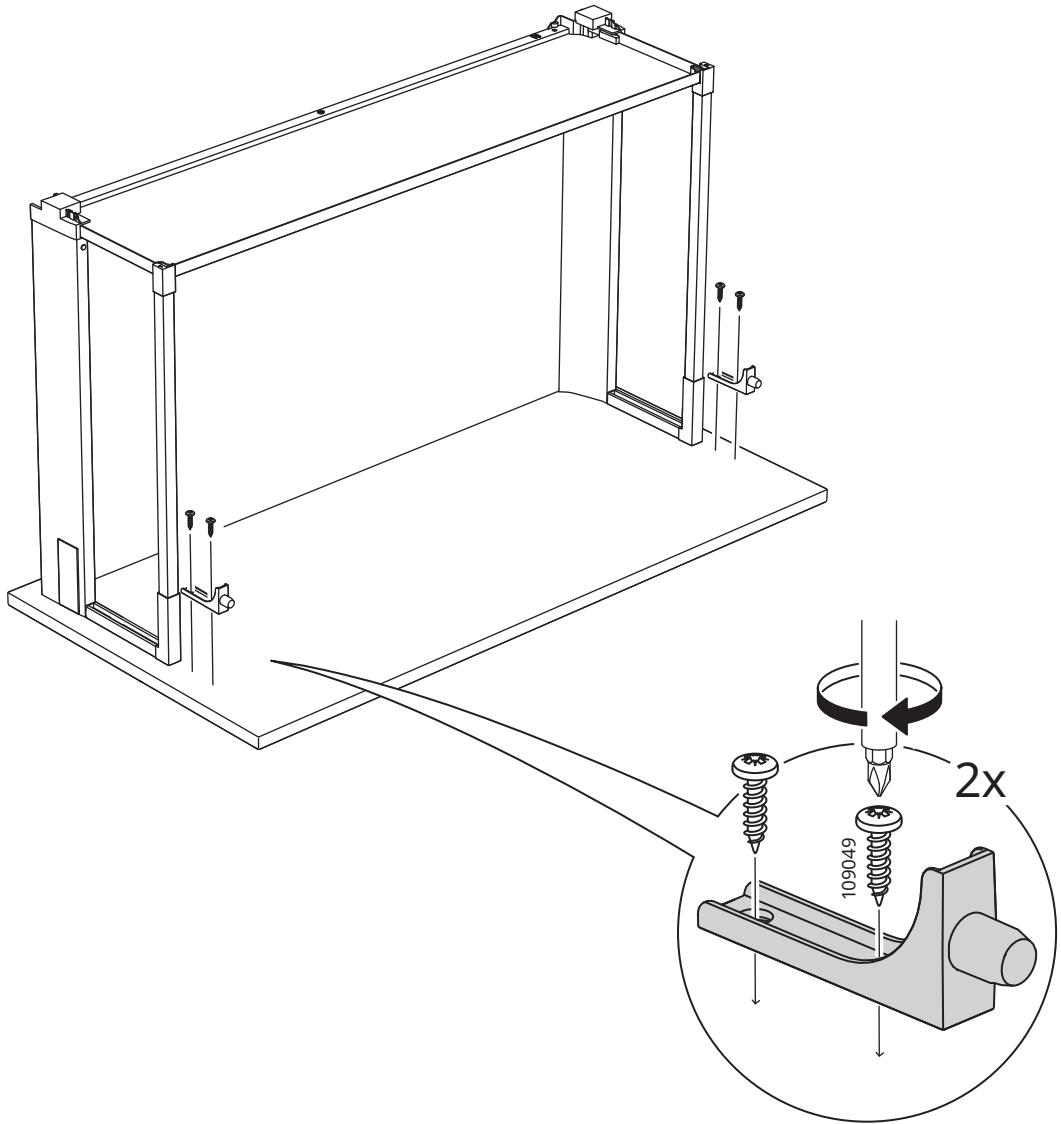
4

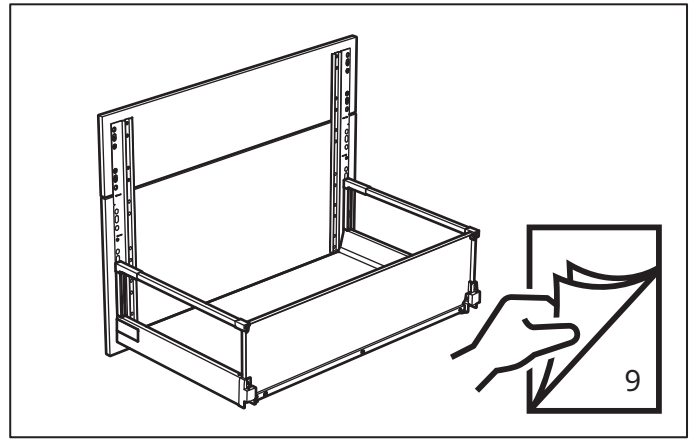
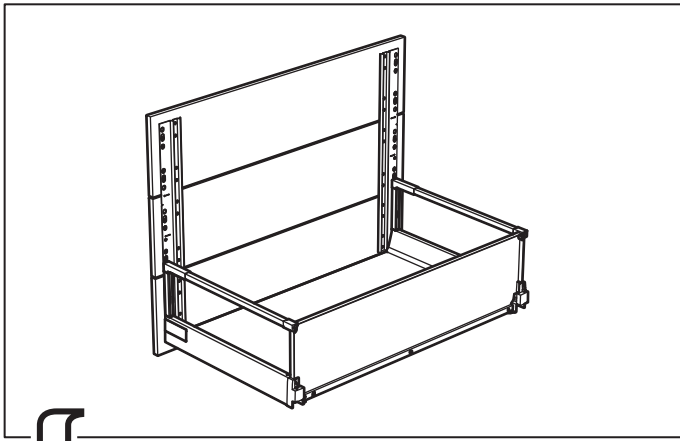


AA-2595619

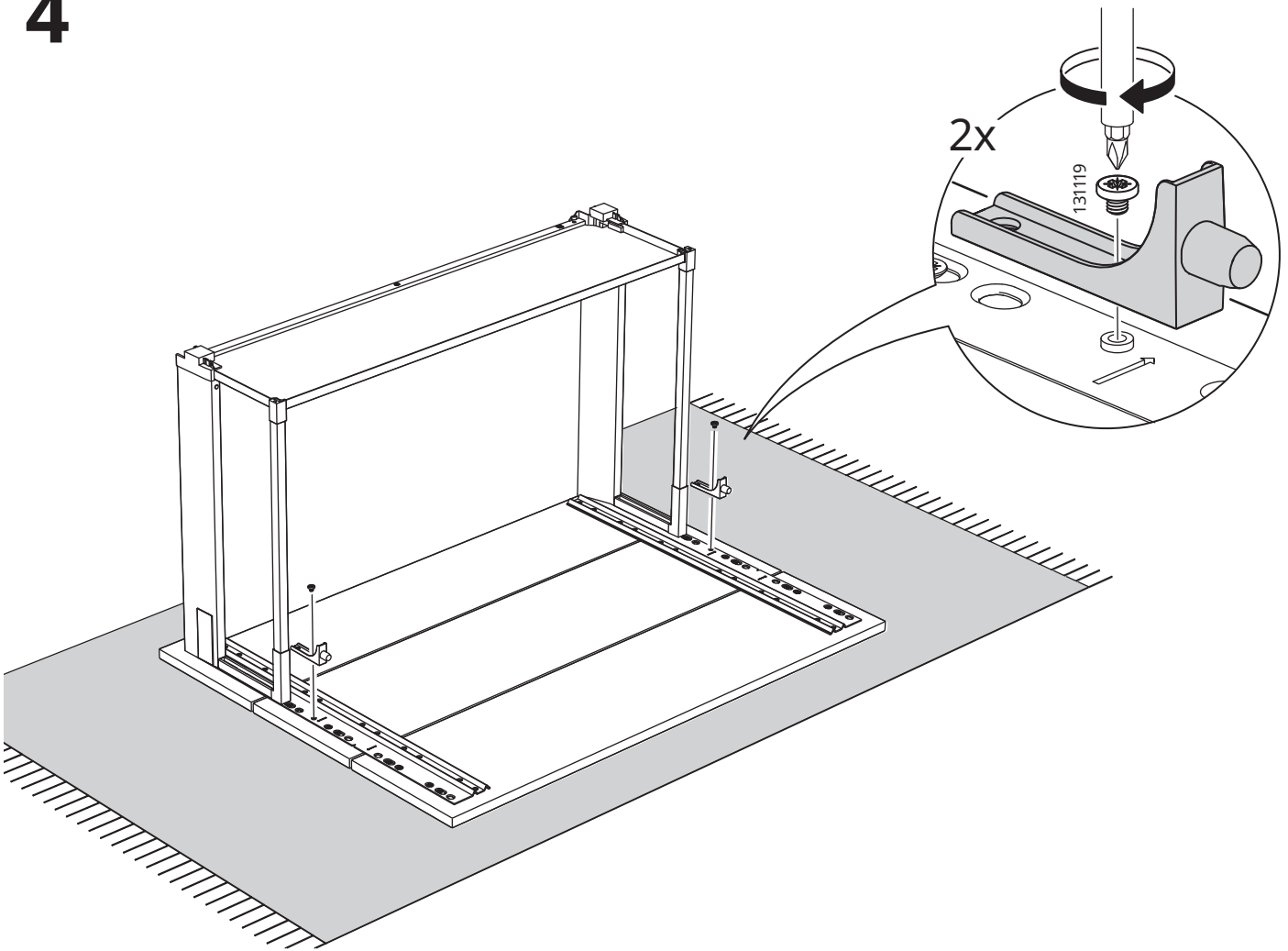


5

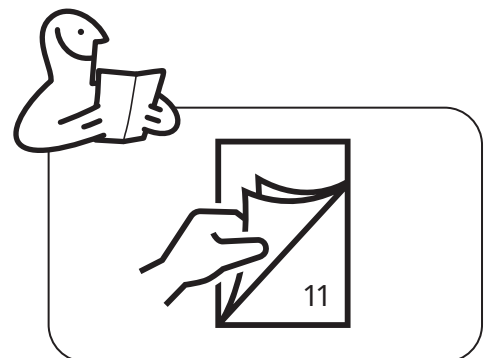
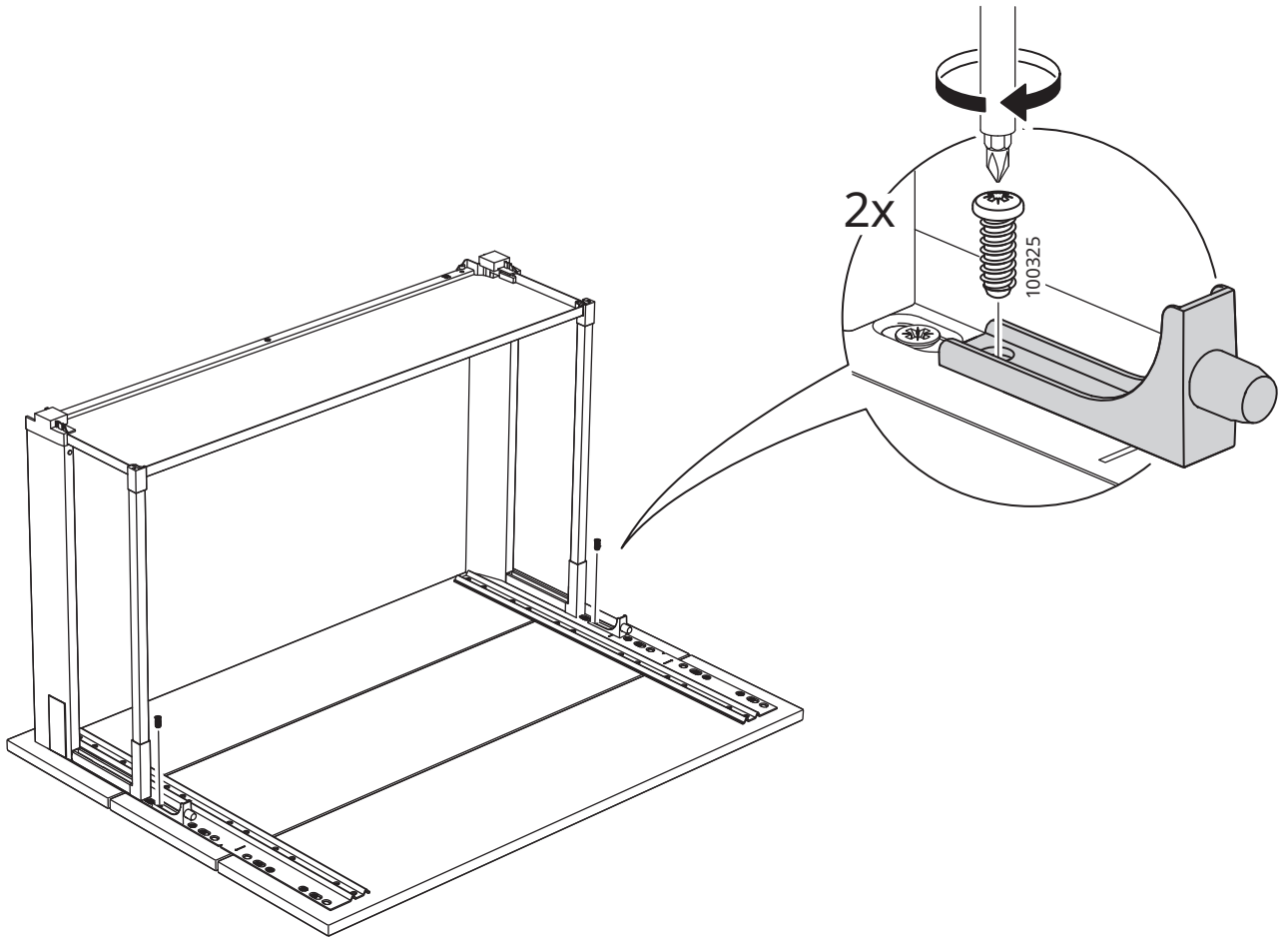


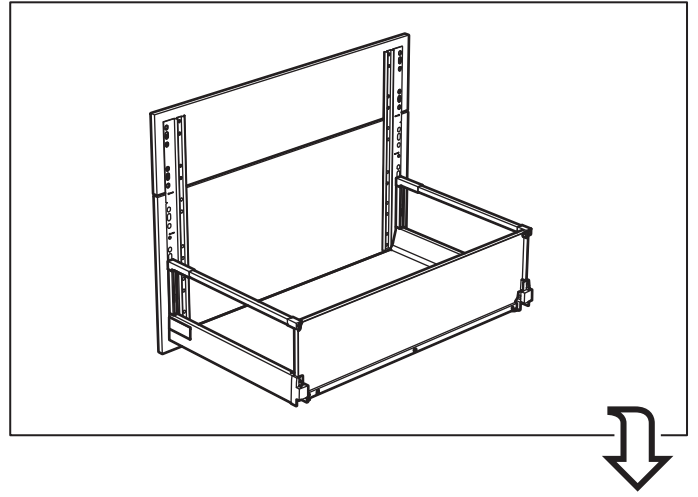


4

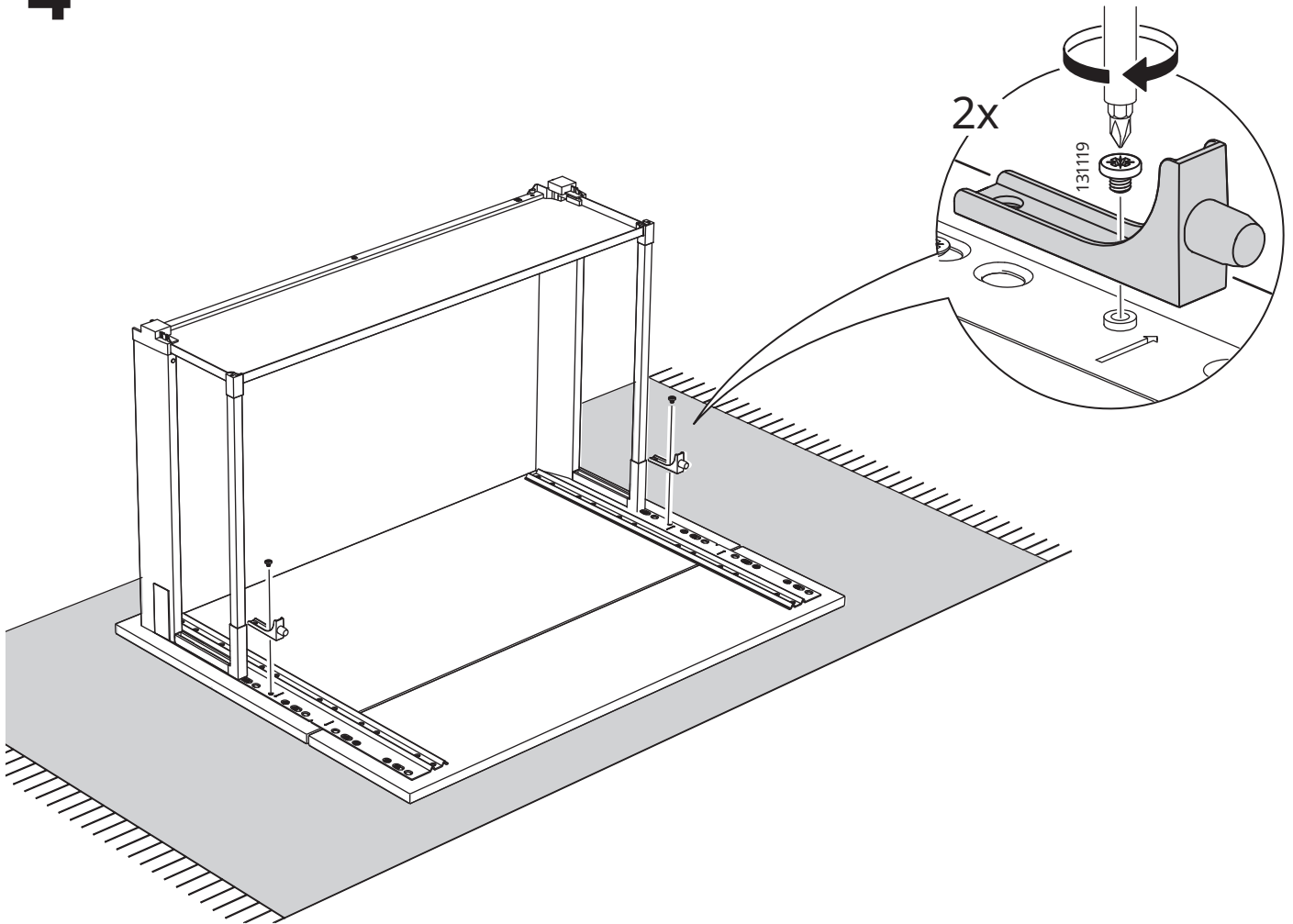


5

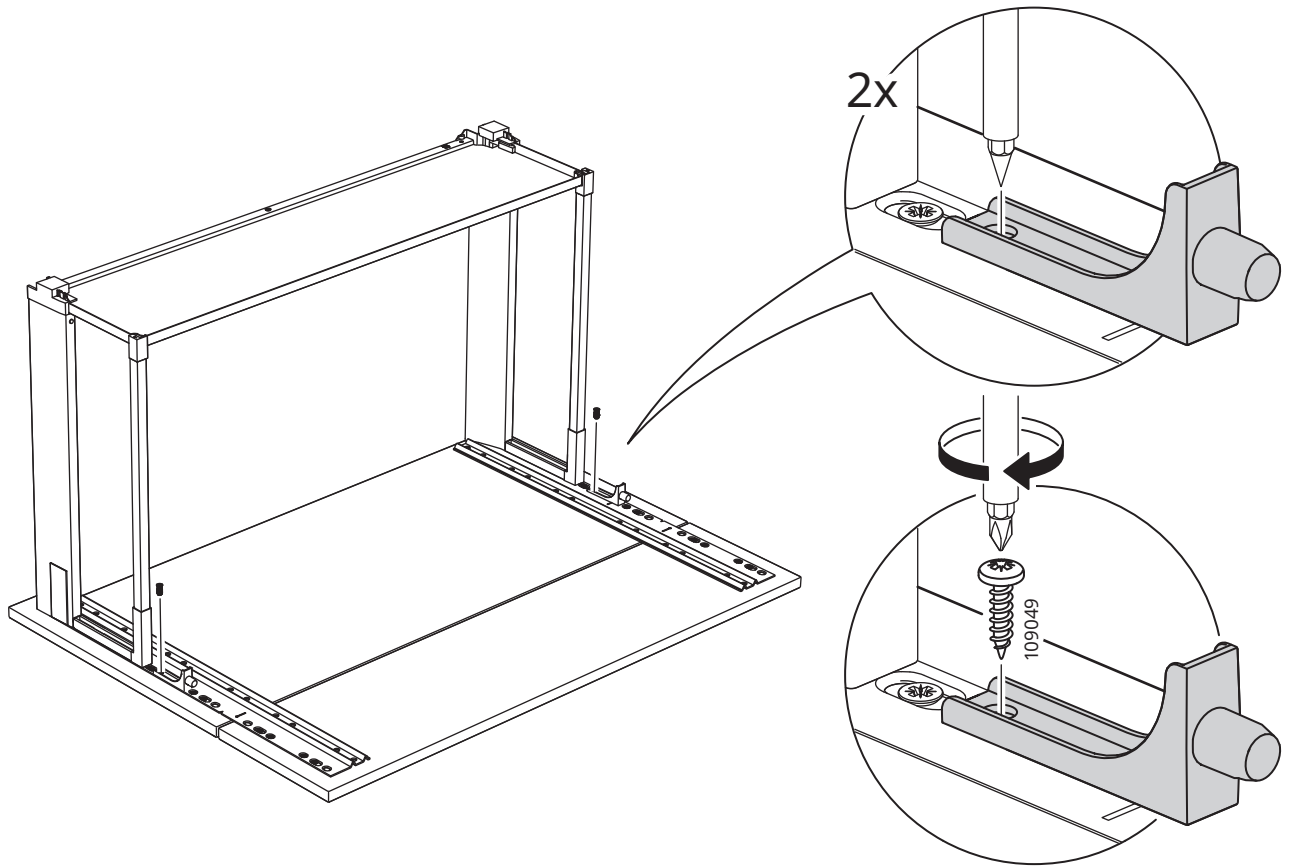


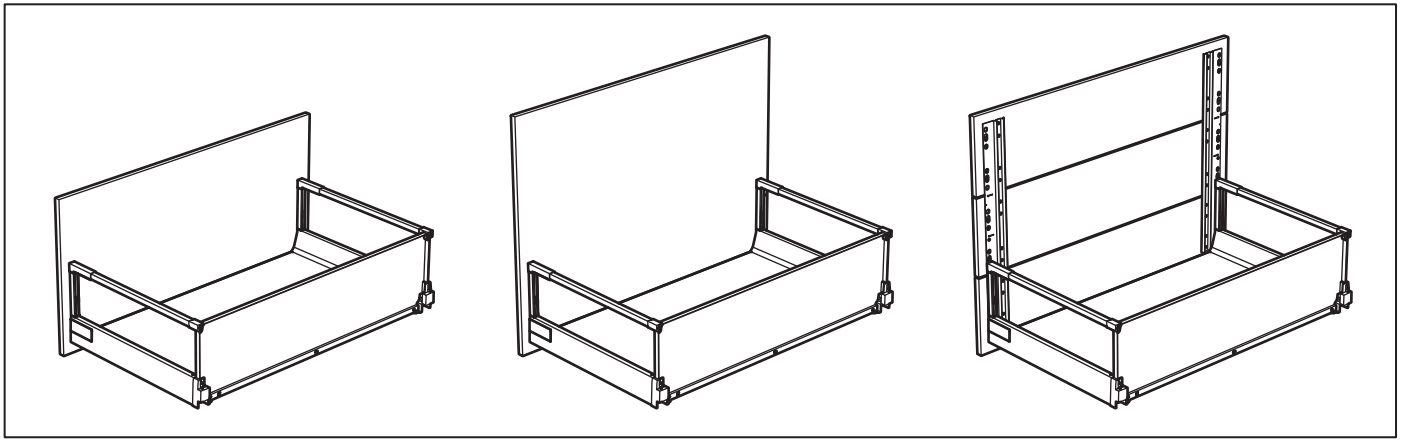


4

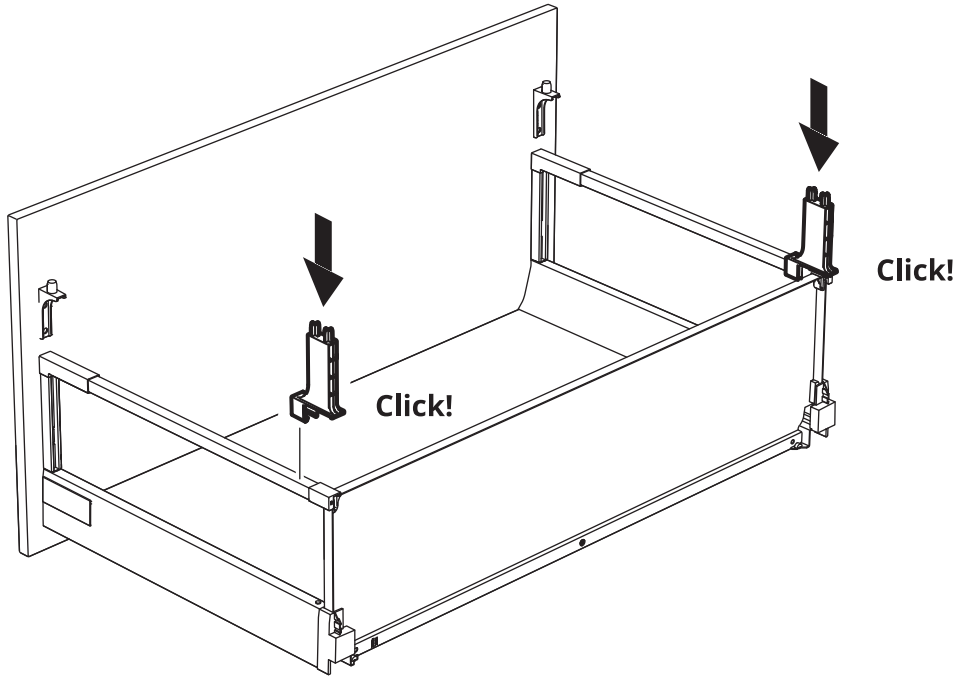


5





6



7

