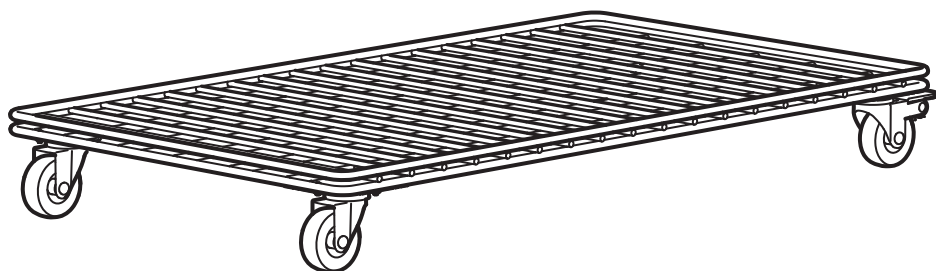
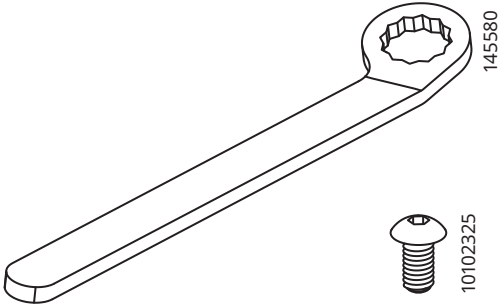
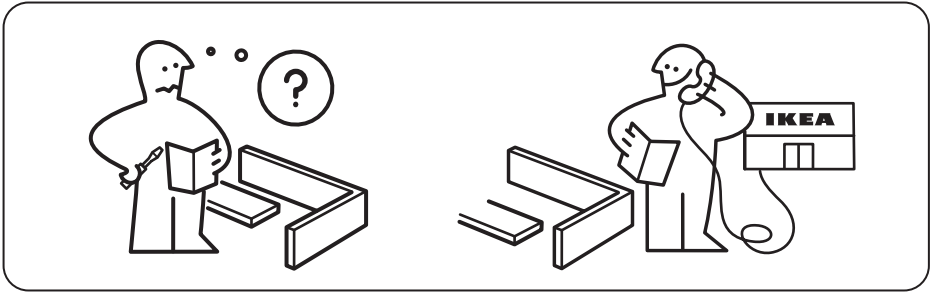


# INVALLNING



Design and Quality  
IKEA of Sweden



1x



10102325

16x

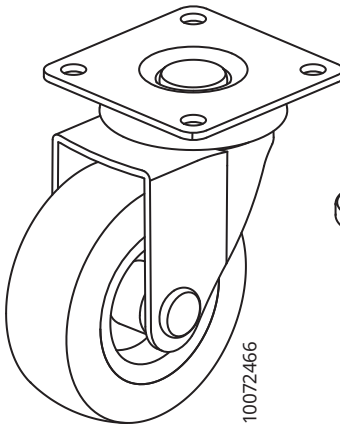


10111035

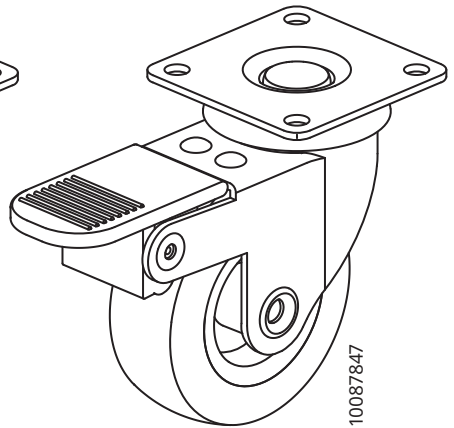
16x



1x



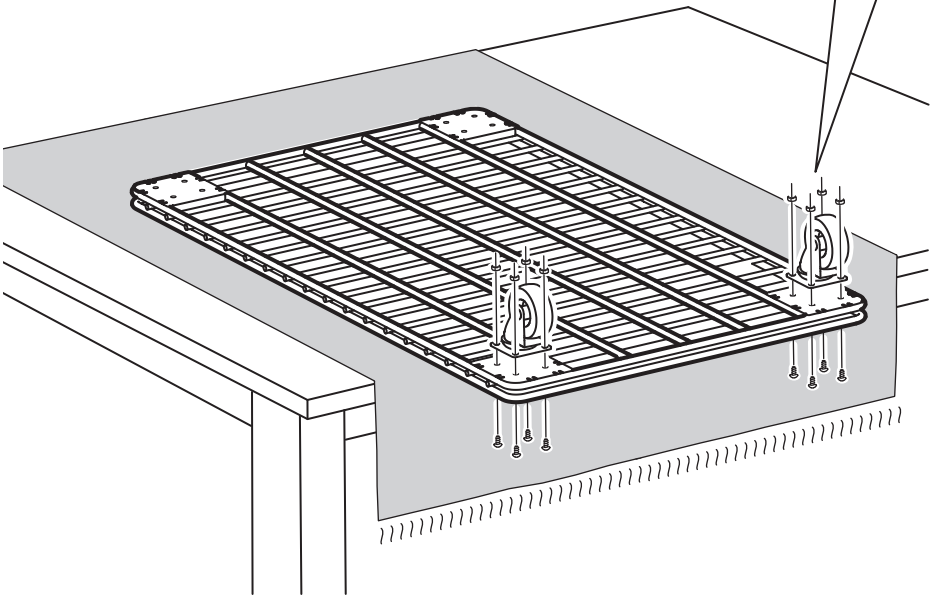
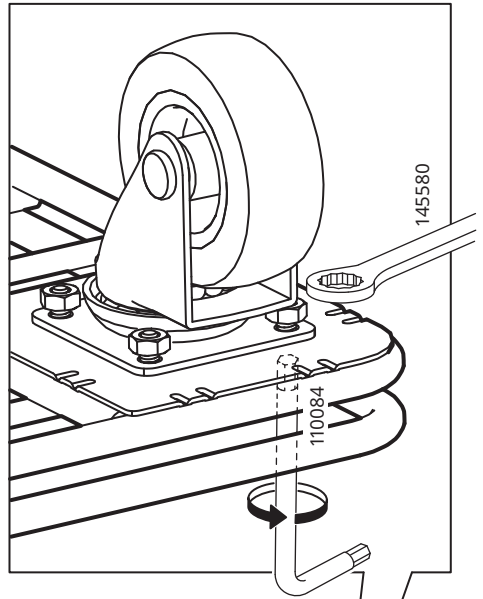
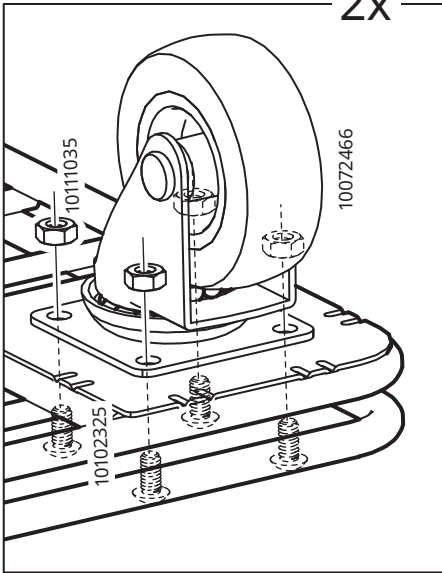
2x



2x

1

2x



2

